

MWH-8W Wall mounting digital energy meter

Product

MWH-8W is design to provide superior single phase electrical energy measurement, develop to read energy, having load control and user data management ability. It is the new generation product, ideal solution using innovative computerize technique, making energy meter commercialize, solving the difficulty for collection and energy conservation.

MWH-8W is able to measure Bi-polar energy, built with circuit breaker to detect electric theft incident, provide pulse and RS 485 communication function. Easy for user to check or construct data collection system.

Features

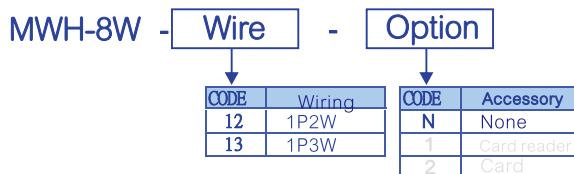
- Apart from traditional Kilo-Watt Hr, it is equip with additional parameters; total Watts, phase watts, power factor, phase voltage, phase to neutral voltage , total current, phase current and frequency.
- Front panel and wiring terminal with seal cover fulfilling metrology rules

Applications

- Renting building for each apartment
- Exhibition booth electricity use
- Individual apartment electricity use
- Mall Stall unit electricity use
- School hostel electricity use



Ordering product code



PS: Lighted color wording specification are future function, not available at the moment

Technical specifications

Measure and wiring

Wiring	Voltage	Current	Frequency
1P2W	220V	15(60)A	50、60Hz Applicable
1P3W	110-220V		

Accuracy: 1.0% Class
 Working range: 85~110% Rated voltage
 Starting current: 0.4%Ib
 Display parameters: Kilo-watts hour(KWH) active power (KW)
 phase active power(KW)power factor(PF)
 Line voltage(VL) Phase voltage(VN)
 Average current(IL) Phase current(IN)
 Frequency(Hz)
 Resolution: 0.01 KWH
 Pulse constant: 1P2W:3200 impulse/KWH
 1P3W:3200 impulse/KWH
 LED display: Bright and long life LED for indication
 Pulse LED: Red; Blink when calculating Watt-hr, normal off.
 Breaker LED: Yellow ; Blink when load breaker disconnect, normal off
 Signal output: Pulse output linear to measure Watt-Hr, width 80ms±20ms, pulse output is electric isolated

RS 485 communication:

Interface: RS-485 Half/full-duplex mode
 Protocol: Modbus RTU Mode
 Address: 1~255 Selectable
 Baud rate: 2400、4800、9600、19200bpsselectable
 Parity: N81、N82、odd、even selectable
 Distance: 1200M max
 Terminal resistance: 150Ω.
 Data storage: ≥6 years

Display

LCD Display: 8 Digits LCD(6+2) , height9.5mm
 Large back panel LCD : Communication status(phone icon) display,circuit breaker status display.
 Status display: 3 round LED
 Pulse output: 1 Red LED , blink when calculating Watt-hr energy, normally off.
 Circuit breaker: 1 Yellow LED , blink when load disconnect,normally off.
 Alarm status: 1 Red LED , blink when reach alarm point,normally off.

Power status: When no power, screen display close from (0s~6.0 days selectable)

Control function

Cut power: Meter can cut off electricity in parameters setting level or through RS485 communication port, for convenience power usage control.

Protection

Passwords: 2 sets 4 digits password, for parameters setting and meter reset zero
 Parameters: password can be set
 Meter reset: password not setttable
 Lock: When locked, parameters cant be changed, view only

Sealing :

Front panel and terminal can be sealed, comply to metrology design and standard, avoid stealing of electric and improper operation.

Environment

Working: Temperature 0~60°C/Humidity0~80% , Non condensing
 Storage: Temperature-20~70°C/Humidity0~80% , Non condensing

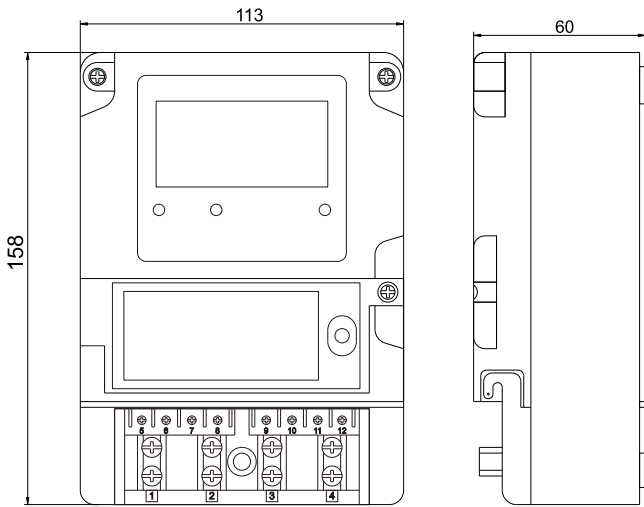
Electric safety

Surge test: 12KV, 1.2x50usec
 Common mode & differential mode
 Insulation: ≥100M ohm
 Dielectric: DC 500V
 Standard: CNS 14607, C4486
 EN61036

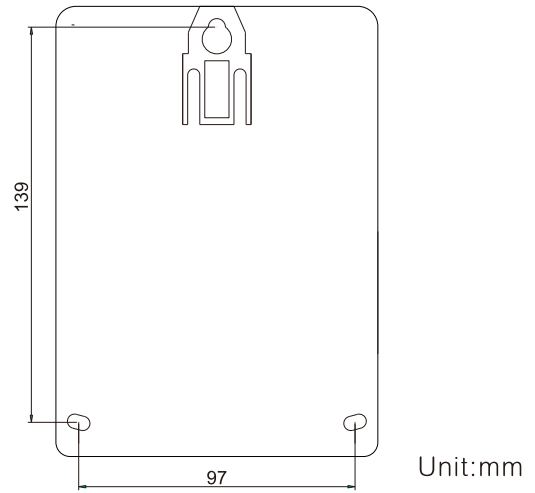
Mechanical

Size: 110W/156H/60D mm
 Casing material:ABS non-flammable
 Installation: Wall mounting
 Weight: 700grams

■ Dimension

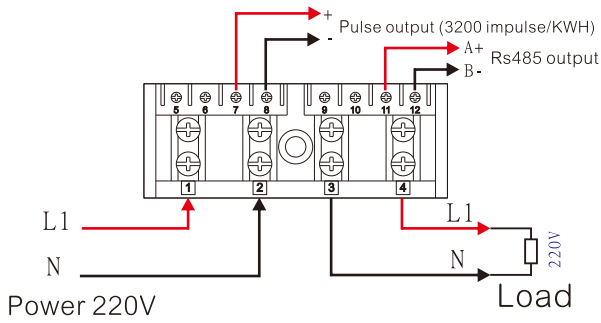


■ Holes size



■ Wiring diagram

1 Phase 2 wire



1 Phase 3 wire

